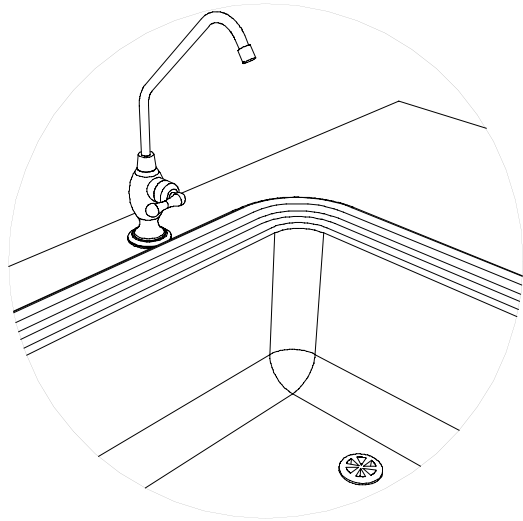
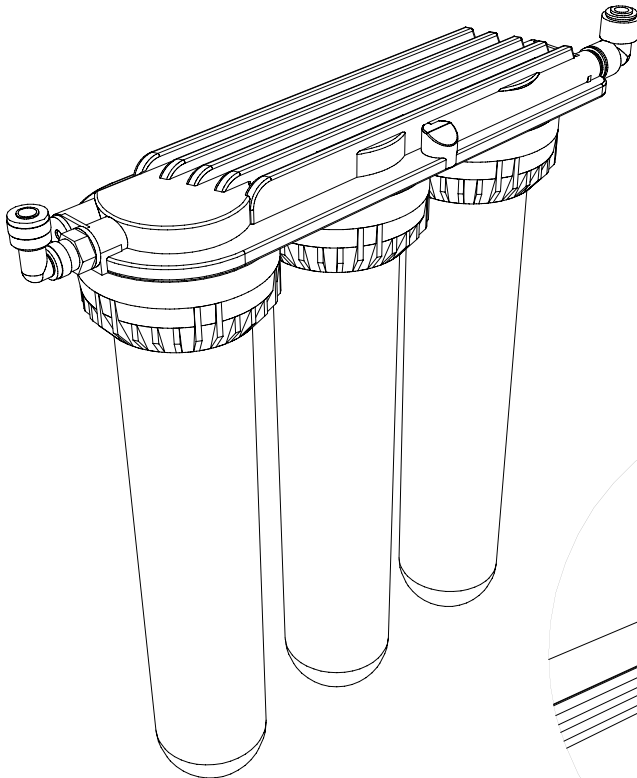




## Aquasana Installation Operation and Instruction Manual



Version 2.10 June 2007

**Failure to observe manufacturers installation recommendations will  
invalidate the manufacturers warranty.**

[www.airandwatercentre.com](http://www.airandwatercentre.com)

Air and Water Centre  
Artex Avenue, Rustington, LITTLEHAMPTON,  
West Sussex, BN16 3LN, UK  
Tel: (+44) 01903 850 200. Fax (+44) 01903 850 345  
email: [sales@jshumidifiers](mailto:sales@jshumidifiers)





# Aquasana

## Safety

---

### Safety

#### **All installation work must comply with local regulations**

All work concerned with the installation of the Aquasana MUST only be performed by skilled and qualified technical personnel (e.g. Fitters, electricians, plumbers or technicians with appropriate training). The customer MUST be responsible for ensuring their suitability.

Before proceeding with installation of your Aquasana choose a suitable location that will allow for easy access. The RO Kit is especially designed to be used only with standard tap water and installed either above or below a kitchen sink.

All installation work must comply with local regulations.

For the installation of the Aquasana and associated components there should be no special tooling requirements above that of a fitters tool kit.

The water supply to the control panel should be free of microbial contamination and should run at less than 20oC within 2 minutes of turning on supply.

Do not connect the unit to a hot water supply. The Aquasana is designed to accommodate mains water.



# Aquasana

## Contents

---

### Contents:

(i)	Safety
(ii)	Contents
Page 1	Introduction
Page 2	Specification
Page 3	Component identification
Page 4	Installation
Page 8	Putting into operation
Page 9	Care of product
Page 10	Maintenance
Page 11	Disinfection Instructions
Page 12	Trouble shooting
Page 13	Guarantee



# Aquasana

## Installation and Instruction Manual.

### Introduction

#### Why use an Aquasana?

The AquaSana three-stage water filter delivers the ultimate in mains water filtration. It comes with a chrome tap and chunky handle for durability and easy use.

The system provides up to 120 litres of water per hour and the two stage filtration process is as follows:

1st stage - 5 micron polypropylene filter

2nd stage - activated carbon filter

3rd stage - activated carbon filter

The Aquasana water filter does not require an electrical connection and operates with a water supply of between 3-6 bar. A self piercing shut off valve is included in the kit for ease of installation.

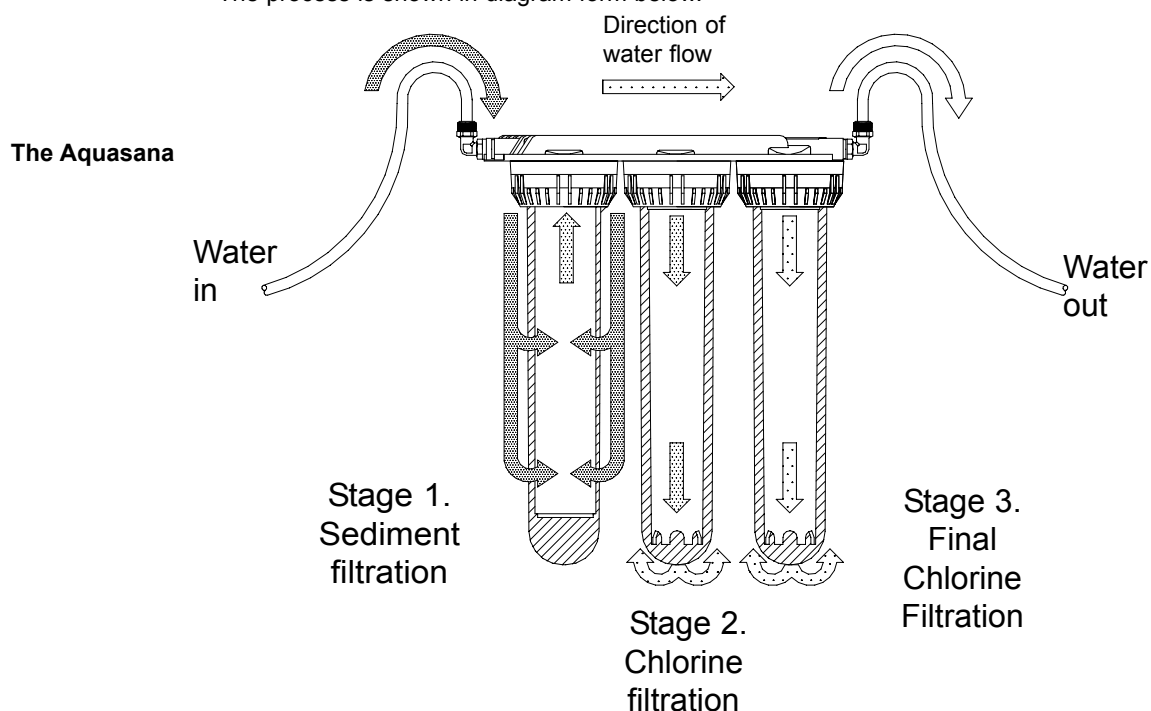
The Aquasana can be installed under your sink and the attractive chrome tap either through the work surface or sink.

Once installed, the Aquasana is designed to operate with a minimum of maintenance and filters should be replaced every six months.

#### The Filtration Process

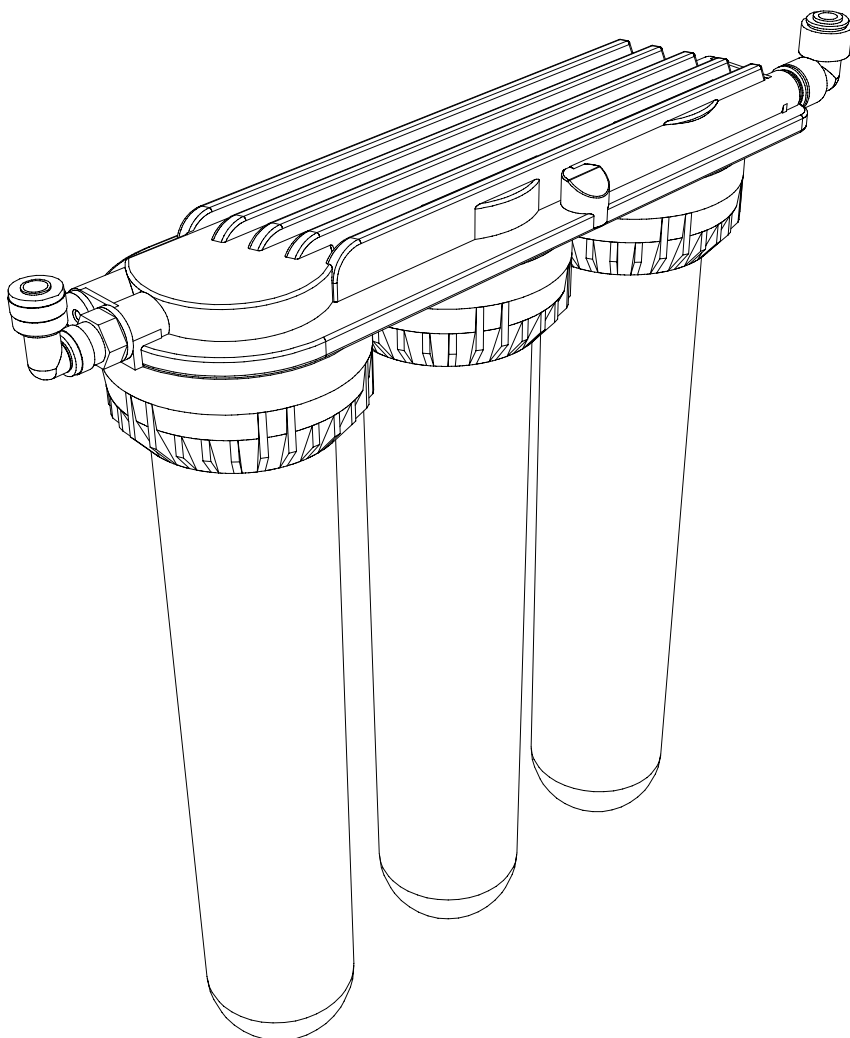
1. Water under mains water pressure, enters the Aquasana directly into a 5 Micron Sediment filter which removes particles in suspension.
2. Water is then passed through the first stage Active Carbon filter, which reduces Chlorine and other chemicals present in tap water that may otherwise alter the taste and colour of your water supply.
3. The final stage of the process is a second Active Carbon filter for further elimination of Chlorine and contaminants in the water.

The process is shown in diagram form below.





# Aquasana Specification



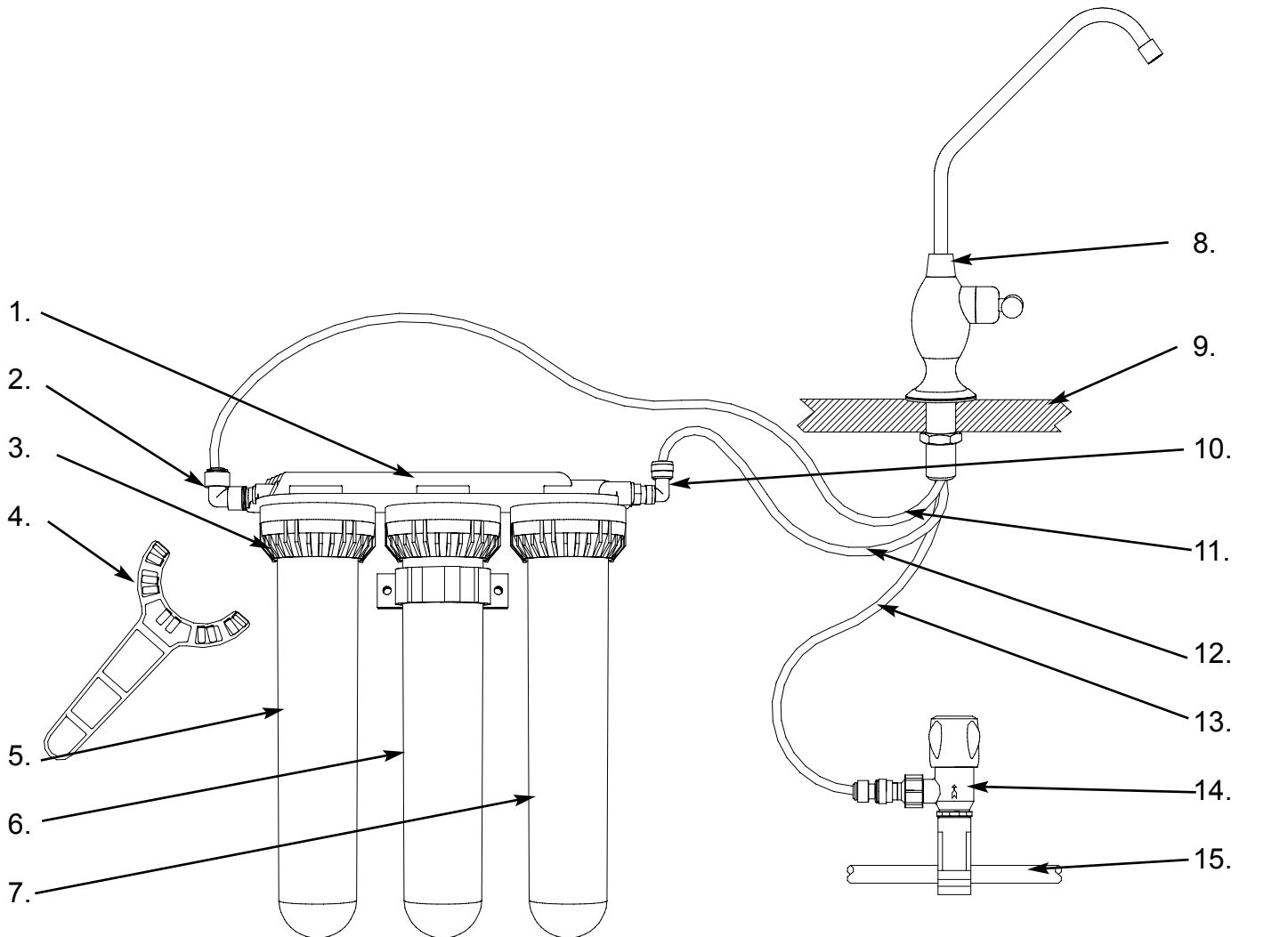
## Specification details

DIMENSIONS (mm)	Filters + manifold - 325x300x80	Tap – 334x183x50
FILTERS	5 Micron Sediment filter	Sediment filter
	Active Carbon filter stage 1	Chlorine removal
	Active Carbon filter stage 2	Chlorine removal
Nominal Flow Rate	120litres/hour	



# Aquasana

## Component Identification



- |                                   |  |
|-----------------------------------|--|
| 1. Filter manifold                | 9. Work surface                          |
| 2. Push fit adaptor (inlet)       | 10. Push fit adaptor (outlet)            |
| 3. Filter head retaining ring     | 11. Tap to filter pipe (inlet) (white)   |
| 4. Filter spanner                 | 12. Tap to filter pipe (outlet) (opaque) |
| 5. Sediment pre-filter (Stage 1)  | 13. Mains to tap pipe (blue)             |
| 6. Active carbon filter (Stage 2) | 14. Mains self piercing valve assy.      |
| 7. Active carbon filter (Stage 3) | 15. Mains water pipe.                    |
| 8. Counter tap                    |  |



# Aquasana Installation

---

## Tools for installation

Posi-drive screwdriver	12mm drill bit
Small adjustable spanner	7mm drill bit
Power or hand drill	

## Installation parts

Wall mounting	-	Black, filter housing clip.
		2x brown rawlplug and 2x wood screw.
Mains water	-	Self cutting valve assembly.
Fresh water	-	Chrome work surface tap
		Work surface securing kit

## Before Installation

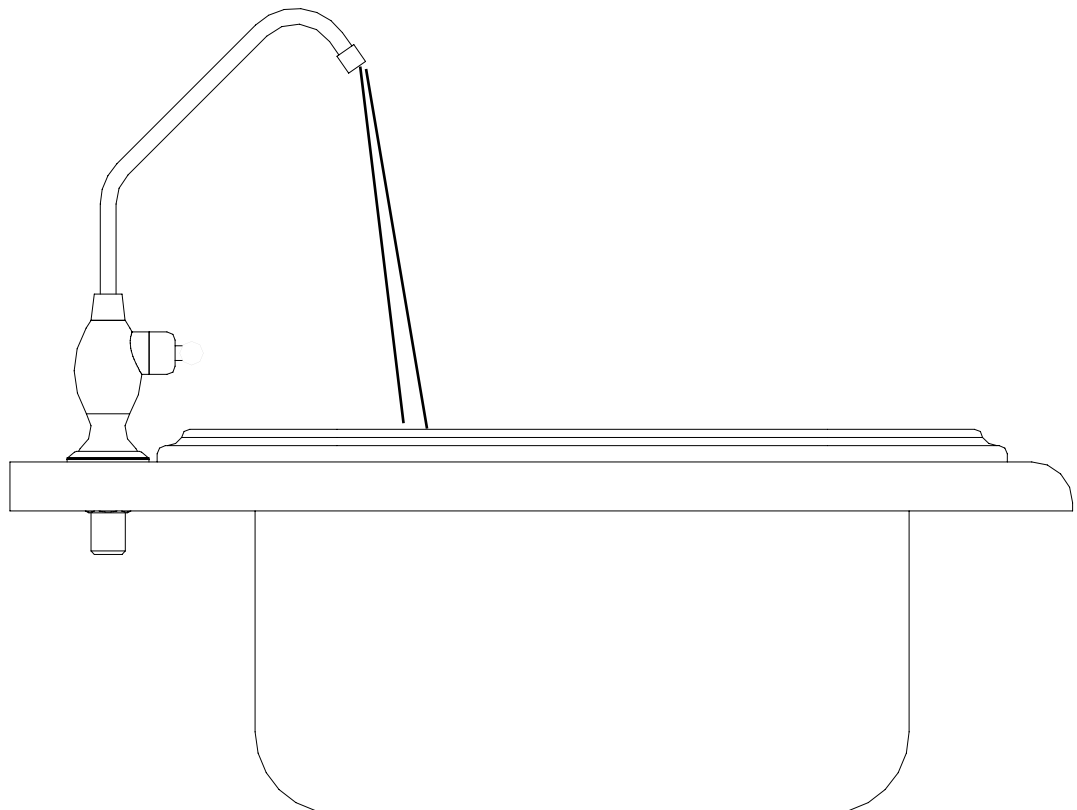
Before proceeding with installation of your Aquasana choose a suitable location that will allow for easy access. The Kit is especially designed to be used only with standard tap water and installed either above or below a kitchen sink.

The unit must be placed on a flat surface and away from direct sunlight. It is also important that it is not exposed to rainwater, damp, or be placed in a location where temperatures are below 5°C or exceed 30°C.

The location must allow for easy access to carry out routine maintenance. You should ensure that the pressure of your water supply is at a minimum of 3 Bar (43psi) and a maximum of 6 Bar (86psi).

## Counter tap positioning

**The counter tap should be positioned such that when operated, the jet of water is harmlessly run to waste via the sink**





# Aquasana Installation

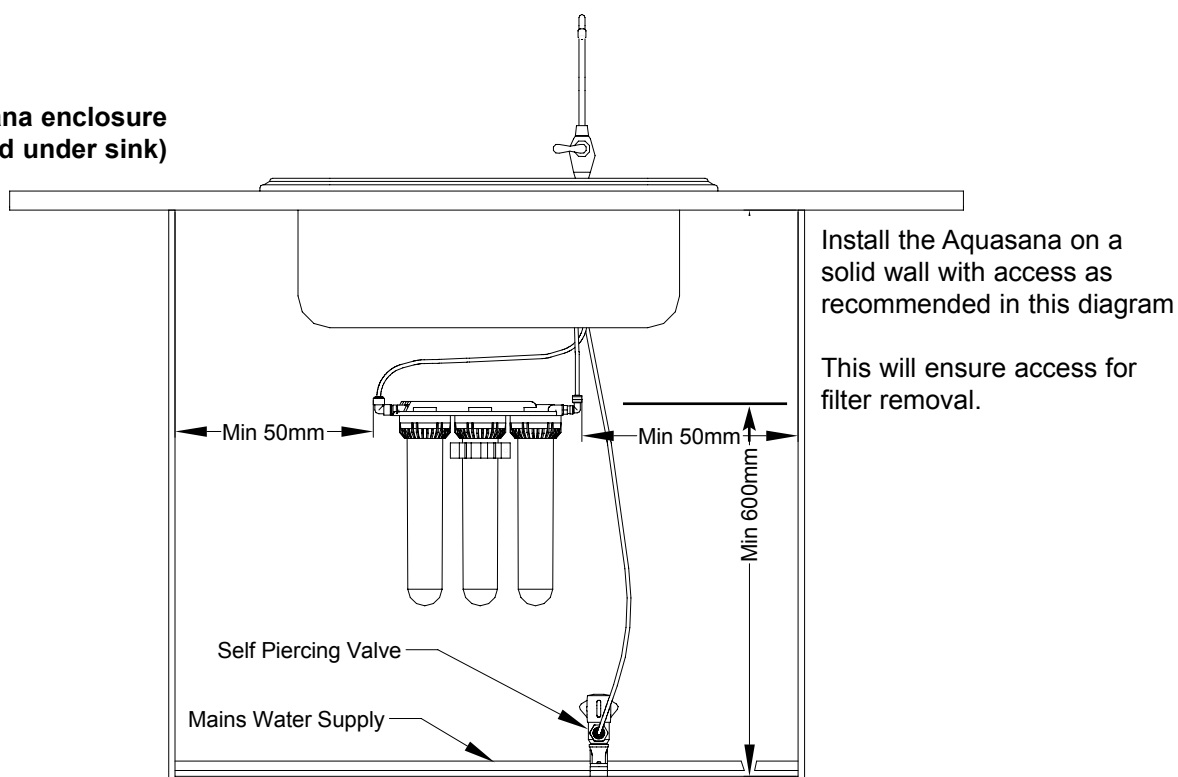
## Aquasana positioning.

When installing the filter housing leave the clearance areas indicated below to allow access for maintenance inspections and filter removal . (See diagram below.)

The Aquasana should be installed directly below the counter tap, or as close as possible.

Be aware of the location of your Aquasana. If the position of the Aquasana is close to a cooker or refrigerator, the increased temperature could affect the efficiency of the Aquasana and might cause leaks.

## Aquasana enclosure (E.g. cupboard under sink)



## Housing clip installation

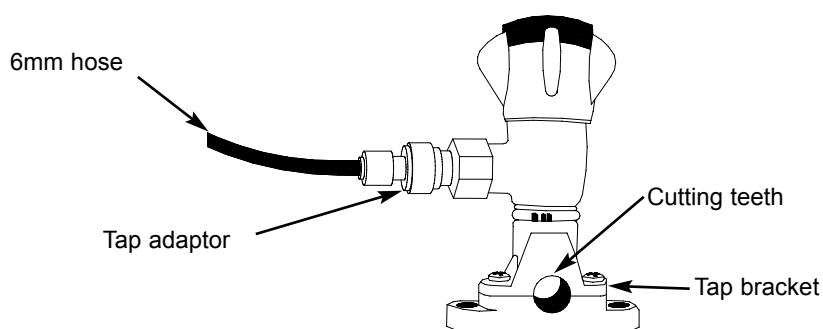
1. Drill two 7mm holes into the wall, 80mm apart ensuring that no damage is caused to any pipes or wiring.
2. Push the two brown rawlplugs into the wall.
3. Screw the bracket tightly onto the wall, ready for the Aquasana.



## Aquasana Installation

### Connection to mains Water

1. Ensure that a fresh mains water supply is located within one meter of the Aquasana. The water supply should be free of microbial contamination and should run at less than 20 degrees Centigrade within 2 minutes of turning on the supply. Do not connect to a hot water supply.



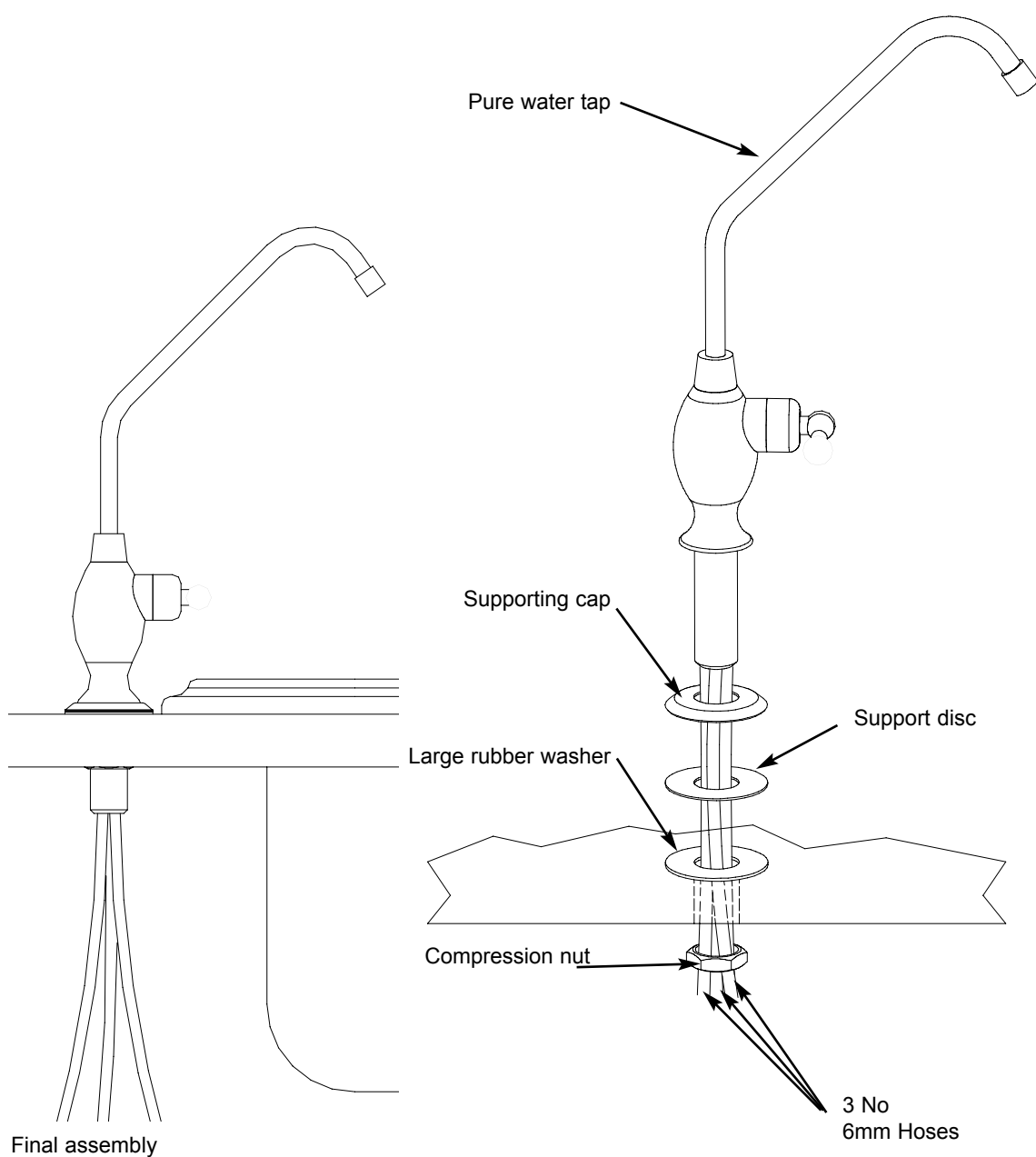
2. Isolate the mains water supply and release line pressure by running the cold sink tap.
3. Unscrew the top half of the self piercing tap in an anti - clockwise direction, so that the cutting teeth withdraw into the body of the tap.
4. Clamp the tap firmly onto the pipe in the position required, using the tap bracket.
5. Turn the top half of the tap body slowly clockwise until it reaches the end of it's thread.
6. If necessary, cut the blue 6mm hose to the required length and then plug it into the tap adaptor.
7. Check that the pipe is properly secured in the Tap adaptor.
8. Do not turn on the mains water supply until the rest of the Installation procedure is complete.



# Aquasana Installation

- Pure water tap**
1. Drill a 22mm hole in the work surface above the Aquasana.
  2. Put together the pure water tap assembly as shown below, and tighten the compression nuts with the small adjustable spanner.
  3. Plug the white 6mm hose into to inlet of the filter (sediment end) and the opaque 6mm hose into the outlet (carbon end).

## Pure water tap assembly.





## Aquasana Putting into operation

---

1. Check that all hose connections are tight and correctly located.
2. Turn on the mains water supply from the mains isolator, open the self cutting valve, by turning clockwise and turn on the pure water tap. (Turning on the tap allows water to flow through the Aquasana).

Note:

**The water will continue to flow out of the tap for a few moments after the tap has been turned off.)**

3. Allow the Aquasana to fill up for a few minutes, then check for any leaks in the hose connections.
4. Run water from the tap for 10 minutes to purge the filters and housings.

The water may appear dirty to start off with. This is because some of the filter substrate flushes through the system.

5. After 10 minutes of running the water, the Aquasana will be ready to use.
6. Inspect the unit after 1 hour to ensure there are no leaks.
7. **IMPORTANT!** Check daily for water leaks



# Aquasana

## Care of your Aquasana

---

### **General Care**

The Aquasana requires very little maintenance beyond cleaning of the filtered water tap and regular checks for leaks. Filters should be replaced every six months , or when taste of the water deteriorates.

Disinfect the system once a year following the disinfection instructions.

### **Filter replacement.**

Replace the Sediment Cartridge and Active Carbon filter every 6 months. (Follow instructions for filter replacement on the next page)

The filter housings will need to be cleaned out every time the cartridges are replaced or cleaned. After following the filter replacement instructions on the next page, clean out the filter housing, with warm soapy water and rinse well with mains water.

### **After periods of non-use.**

If the Aquasana is not used for a period greater than three days or more, run the tap for at least 1 minute to flush out any water that may have stood for a while.

If you know that you are not going to be using the Aquasana for a three or more days, turn off the Aquasana from the mains, at the self cutting valve.

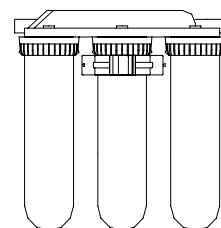


# Aquasana Maintenance Filter Replacement

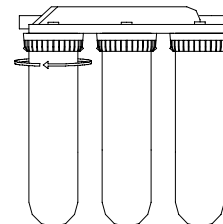
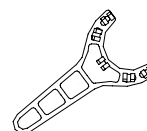
FILTER TYPE	FREQUENCY OF REPLACEMENT
Sediment	6 Months
Carbon	6 Months

It is very important to have clean hands before proceeding.

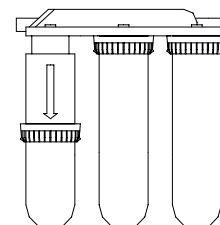
1. Isolate the Aquasana from the mains water supply by closing the self cutting valve. Remove the Aquasana from the filter housing clip, then support it against a wall. Do not remove any pipe work from the Aquasana manifold.



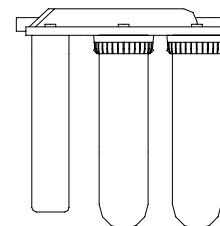
2. Before removal of the screw cap, ensure that you have a bucket or a bowl available to catch the water that will escape from the filter housing. Using the Filter Housing Spanner, turn the Filter Housing Screw Cap clockwise,



3. Release the Filter Housing Screw Cap. Whilst holding the Filter Housing in place, slide the Screw Cap downward, and off the bottom of the Filter Housing.

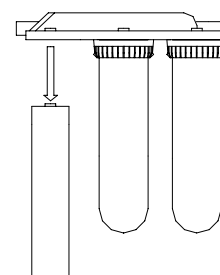


4. Slide the Filter Housing downward to expose the old filter. The filter should be firmly fixed into the Filter Manifold.



5. Supporting the manifold, gently pull on the filter until it comes loose from the manifold. Dispose of the old filter.

Gently push the new filter into the place of the previous filter and reverse the instructions to replace the housing.



### Important

Check for leaks and run the counter tap for 3 minutes before drinking the water .



# Aquasana

## Maintenance

### Disinfection instructions

---

#### Disinfecting the system

This equipment must be disinfected at least once a year after installation. This must be carried out as part of routine maintenance once a year. It is very important to have clean hands before proceeding and to wear suitable personal protective equipment such as eye protection and rubber gloves

Always refer to Material Safety Data Sheets, or MSDS & COSHH data sheets for specific information relevant to any chemicals being used.

Disinfection should always be carried out in a well-ventilated area and should always be sign posted / labelled for the awareness of others. Ensure that all chemicals are kept out of reach of children and are not left unattended.

#### METHOD FOR DISINFECTION

You will need a suitable disinfectant, such as humidifier chlorine tablets, which should be mixed with tap water to make a chlorine solution. Use one 'humidifier' chlorine tablet in 1 litre container of tap water to make an approximate 50 parts per million (ppm) disinfectant solution.

Humidifier chlorine tablets are available from the Air and Water Centre below.  
<http://www.airandwatercentre.com/store/SEURLF/ASP/SFS/CID.29/PID.269/SFE/productdetails.htm>

1. Ensure that the Kit is pressure free by closing the self piercing water feed valve and opening the filtered water tap.
2. Using the spanner provided open the filter housing and remove filters.
3. Mix a 2 litre jug of disinfectant, following the disinfectant manufacturer's instructions for 50 ppm strength.
4. Fill to halfway the interior of each of the empty three filter housings with disinfectant solution.
5. Replace the filter housings containing disinfectant, but not with the filters inside.
6. Open the water feed valve and open the filtered water tap.
7. Once water begins to come out of the filtered water tap close it again.
8. Wait 60 minutes then open the dispenser tap and leave the water flowing to flush out system for at least 20 litres and until the smell of disinfectant has disappeared.
9. Ensure that the RO Kit is pressure free, close the self piercing water feed valve and open filtered water tap.
10. Re-open the filter housings and replace the filters (use new filters after 6 months).
11. Re-connect the water supply, check that the corresponding components are watertight, run the pure water tap until all traces of the bleach/chlorine are eliminated.
12. Check regularly thereafter for water leaks.



## AquaSana Trouble-shooting

---

Symptom	Possible Fault	Action
<b>No water, or low pressure water from counter tap</b>	The self cutting valve tap is turned off	Turn the valve tap anti-clockwise as far as it will go
	Your mains water supply has been turned off, or is at low pressure	check the other taps in the building, then turn the mains water back on
	There is a leak in the pipe work	Follow the path of the water through the AquaSana to locate the source of the leak. Tighten all connections, or replace any split pipe work.
	One or more of your filters are blocked, incorrectly installed, or are out of date.	Check the date of purchase, with the life span of each filter. If a filter is out of date or blocked, replace it with a new one. If one of the filters is incorrectly installed, make sure that it is firmly pushed back into the filter socket in the filter manifold.
<b>Poor tasting water</b>	Filters require replacement	Check the replacement date of your filter, then replace any old filters. If there is a Chlorine taste in the water, replace the Active Carbon filter as soon as possible.

---



## Aquasana Guarantee

---

Thank you for choosing the Aquasana water filtration system !

Your Aquasana has been designed and made under quality controlled conditions to ensure quality and a high level of customer satisfaction and we hope that you enjoy your water filtration system.

### GUARANTEE

This product is guaranteed for one year from the date of installation. It includes replacement of defective parts providing that they were installed correctly according to the instructions for installation for this particular model.

The guarantee does not cover the Filters or their replacement.

Failure to observe manufacturers installation and maintenance recommendations or use of incorrect parts will invalidate the manufacturers guarantee and affect any claims thereafter.

Manufactured by CEASA  
Spain

### Distributor's Details

Air and Water Centre  
Artex Avenue  
Rustington, Littlehampton  
BN16 3LN, United Kingdom  
[www.airandwatercentre.com](http://www.airandwatercentre.com)  
Tel: 01903 850 200



**AQUASANA**

Installation and Instruction Manual

© JS Humidifiers plc

Version 2.10 TF June 2007

All rights reserved. No parts of this publication may be reproduced without the express consent of the publishers.